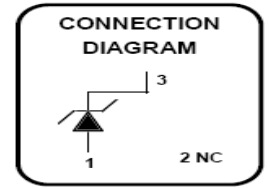
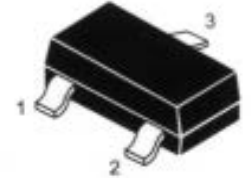


- * Package Designed for Optimal Automated Board Assembly
- * Zener Breakdown Voltage Range – 3.3V to 27V
- * Pb-Free Package is Available

ABSOLUTE MAXIMUM RATINGS at Ta=25°C

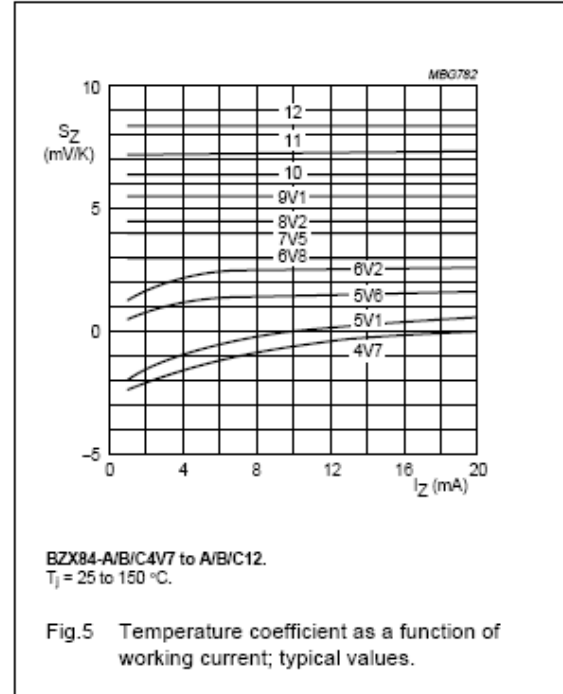
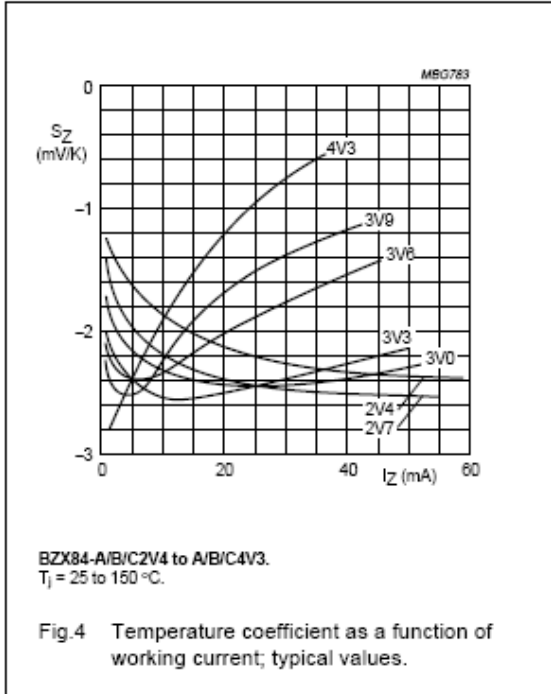
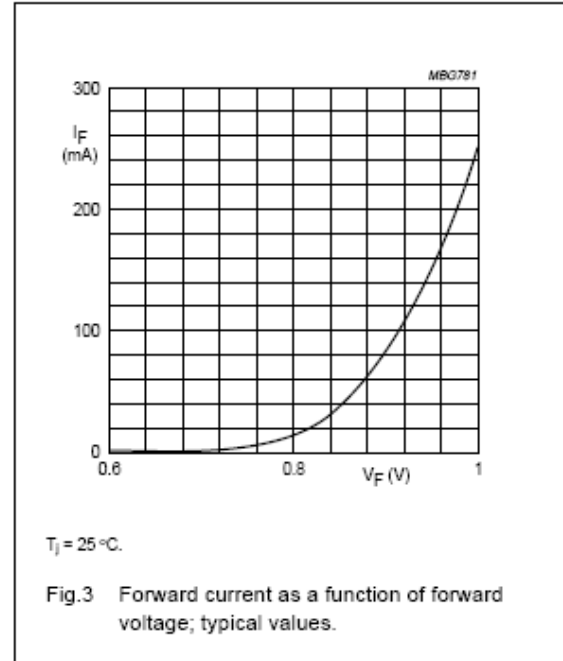
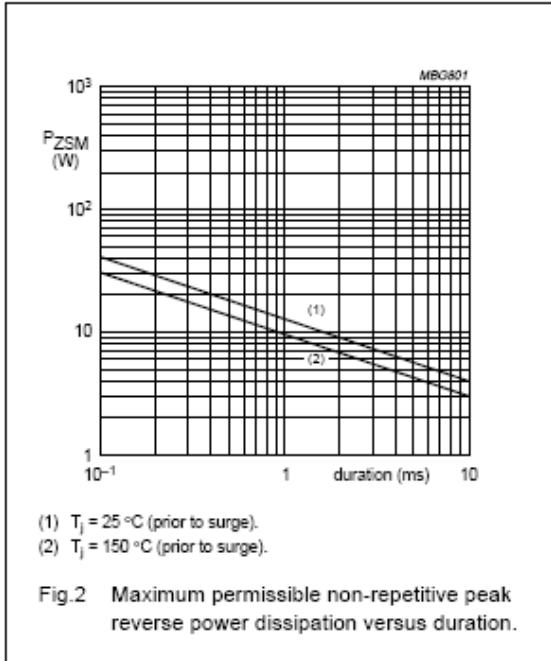
Characteristic	Symbol	Rating	Unit
Forward Voltage at IF = 10 mA	VF	0.9	V
Power Dissipation(Note) Derate Above 25°C	PD	350 1.8	mW mW/ °C
Repetitive Peak Forward Current	IFRM	250	mA
Repetitive Peak Working Current	IZRM	250	mA
Junction Temperature	Tj	150	°C
Storage Temperature	Tstg	-55-150	°C

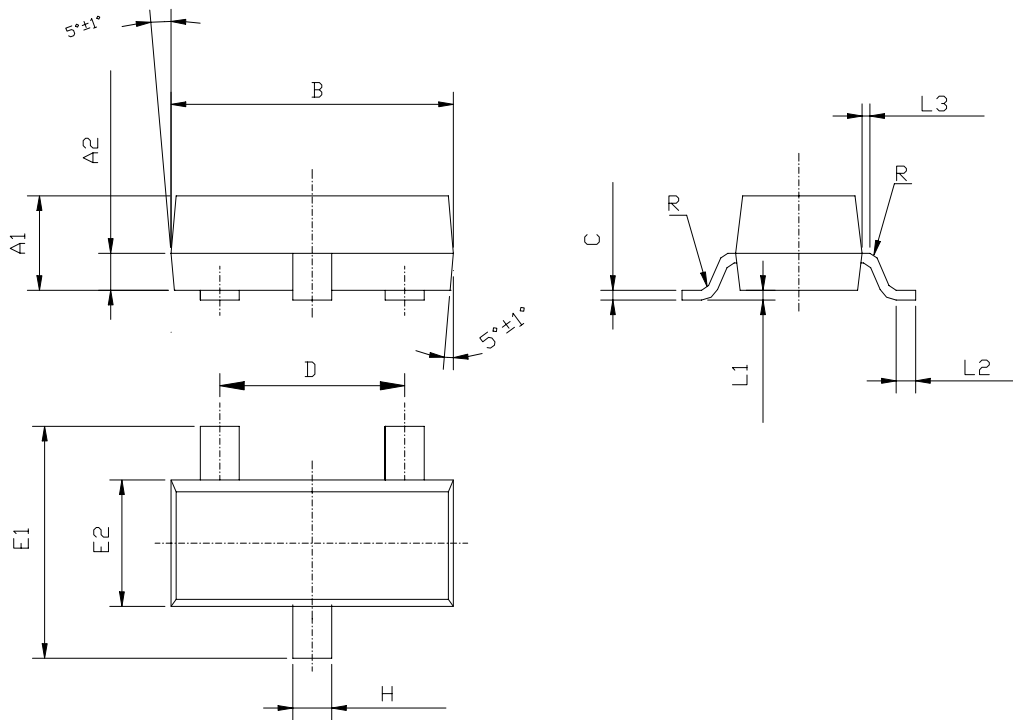
Package:SOT-23



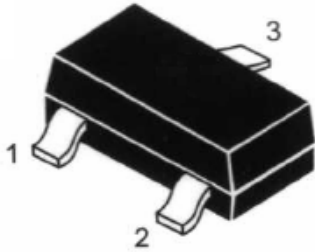
ELECTRICAL CHARACTERISTICS at Ta=25°C

Type	Vz1(V) at IZT1=5mA			ZZT1 (Ω) at IZT1=5mA	ZZT2 (Ω) at IZT2=1mA	Max. reverse leakage current		C(Pf) at Vp=0 f=1 MHz	Marking
	Nom	Min	Max			IR (uA)	VR (V)		
BZX84B3V3	3.3	3.23	3.37	95	600	5	1	450	Z53
BZX84B4V7	4.7	4.61	4.79	80	500	3	2	260	Z57
BZX84B5V1	5.1	5.00	5.20	60	480	2	2	225	Z58
BZX84B6V2	6.2	6.08	6.32	10	150	3	4	185	KZ4
BZX84B6V8	6.8	6.66	6.94	15	80	2	4	185	Z61
BZX84B7V5	7.5	7.35	7.65	15	80	1	5	140	Z62
BZX84B9V1	9.1	8.92	9.28	15	100	0.5	6	130	Z64
BZX84B10	10	9.80	10.20	20	150	0.2	7	130	Z65
BZX84B11	11	10.78	11.22	20	150	0.1	8	130	Z66
BZX84B12	12	11.76	12.24	25	150	0.1	8	130	Z67
BZX84B15	15	14.7	15.3	30	200	0.05	10.5	110	Z69
BZX84B18	18	17.64	18.36	45	225	0.05	12.6	100	Z71
BZX84B27	27	26.46	27.54	80	300	0.05	18.9	70	Z75

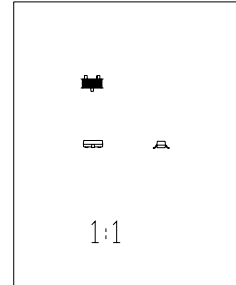




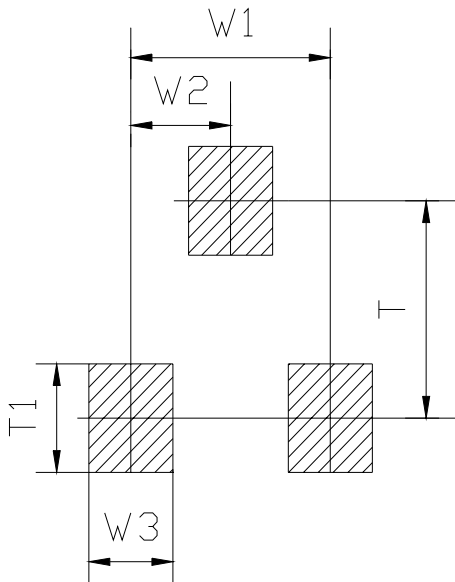
Symbol	Dimensions in Millimeters			内部结构 STYLS	管脚 PIN		
	Min	Nominal	Max		1 脚	2 脚	3 脚
A1	0.900	0.970	1.000	6	基极 BASE	发射极 EMITTER	集电极 COLLECTOR
A2	0.350	0.380	0.410		8	阳极 ANODE	不连接 NO- CONNECTION
B	2.800	2.900	3.000	9		阳极 ANODE	阳极 ANODE
C	0.085	0.100	0.150		11	阳极 ANODE	阴极 CATHODE
D	1.800	1.900	2.000	12		阴极 CATHODE	阴极 CATHODE
E1	2.200	2.400	2.600		18	不连接 NO- CONNECTION	阴极 CATHODE
E2	1.200	1.300	1.400	19		阴极 CATHODE	阳极 ANODE
H	0.300	0.400	0.500				
L1	0.000		0.100				
L2	0.200						
L3	0.030	0.080	0.130				
R	0.080TYP						



OUTSIDE



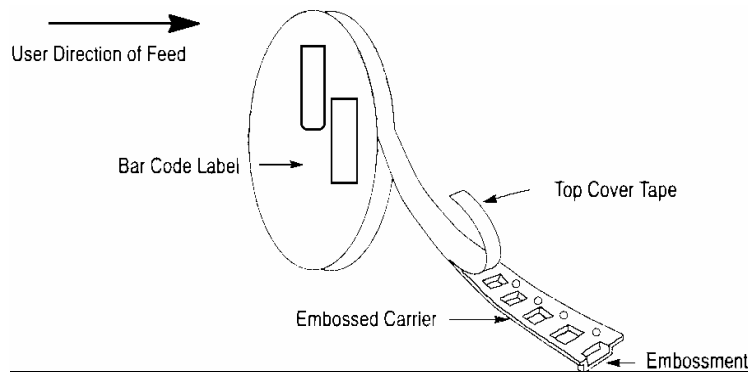
Scale 1:1 on letter size paper



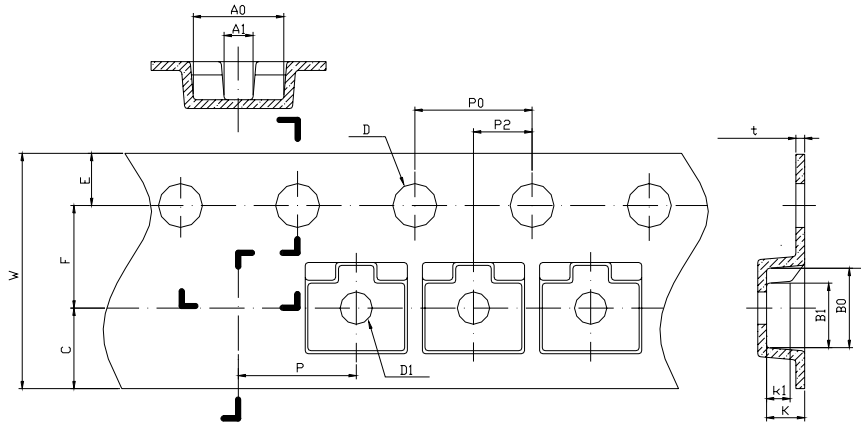
FOOTPRINTS FOR SOLDERING

Symbol	Dimensions in Millimeters	Dimensions in Inches
	Nominal	Nominal
W1	1.900	0.0748
W2	0.950	0.0374
W3	0.800	0.0315
T	2.000	0.0787
T1	1.000	0.0394

SOT-23 PACKAGING:

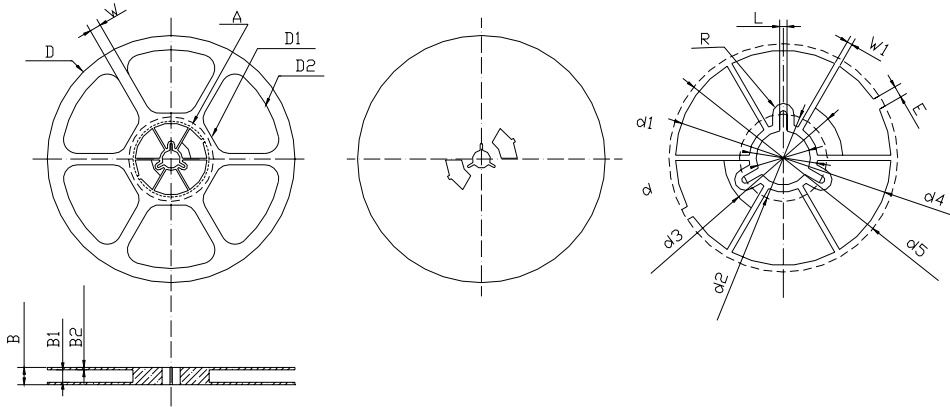


SOT-23 EMBOSSED CARRIER TAPE:



Symbol	Dimensions in Millimeters			Dimensions in Inches		
	Minimum	Nominal	Maximum	Minimum	Nominal	Maximum
A0	3.050	3.150	3.250	0.1201	0.1240	0.1280
A1	0.900	1.000	1.100	0.0354	0.0394	0.0433
B0	2.669	2.769	2.869	0.1051	0.1090	0.1130
B1	2.100	2.200	2.300	0.0827	0.0866	0.0906
C	2.750TYP			0.1083TYP		
D	1.500	1.500	1.600	0.0591	0.0591	0.0630
D1	0.900	1.000	1.100	0.0354	0.0394	0.0433
E	1.650	1.750	1.850	0.0650	0.0689	0.0728
F	3.450	3.500	3.550	0.1358	0.1378	0.1398
K	1.119	1.219	1.319	0.0441	0.0480	0.0519
K1	0.850TYP			0.03346TYP		
P	3.900	4.000	4.100	0.1535	0.1575	0.1614
P0	3.900	4.000	4.100	0.1535	0.1575	0.1614
P010	39.800	40.000	40.200	1.5669	1.5748	1.5827
P2	1.950	2.000	2.050	0.0768	0.0787	0.0807
t	0.216	0.229	0.242	0.0085	0.0090	0.0095
W	7.900	8.000	8.300	0.3110	0.3150	0.3268

SOT-23 REEL DATA:



Symbol	Dimensions in Millimeters			Dimensions in Inches		
	Minimum	Nominal	Maximum	Minimum	Nominal	Maximum
B	-	-	12.500	-	-	0.4921
B1	8.900	9.000	9.100	0.3504	0.3543	0.3583
B2	1.700	1.750	1.800	0.0669	0.0689	0.0709
D	ϕ 177.000	ϕ 178.000	ϕ 179.000	Φ 6.9685	Φ 7.0079	Φ 7.0472
D1	Φ 67.600 TYP			Φ 2.6614 TYP		
D2	Φ 157.600 TYP			Φ 6.2047 TYP		
d	Φ 12.800	Φ 13.000	Φ 13.200	Φ 0.5039	Φ 0.5118	Φ 0.5197
d1	Φ 16.40 TYP			Φ 0.6457 TYP		
d2	Φ 21.000 TYP			Φ 0.8268 TYP		
d3	Φ 25.200 TYP			Φ 0.9922 TYP		
d4	Φ 50.600	Φ 51.600	Φ 52.600	Φ 1.9921	Φ 2.0315	Φ 2.0709
d5	Φ 53.800	Φ 54.800	Φ 55.800	Φ 2.1181	Φ 2.1575	Φ 2.1969
E	2.800 TYP			0.1102 TYP		
L	1.750 TYP			0.0689 TYP		
R	2.575 TYP			0.1014 TYP		
W	15.000 TYP			0.5906 TYP		
W1	1.300 TYP			0.0512 TYP		