



- * Complement to S8050
- * Collector Current :Ic= -500mA
- * High Total Power Dissipation :Pc=225mW

Package:SOT-23



PIN:	1	2	3
STYLE			
NO.1	B	E	C

ABSOLUTE MAXIMUM RATINGS at Ta=25

Characteristic	Symbol	Rating	Unit
Collector-Base Voltage	Vcbo	-40	V
Collector-Emitter Voltage	Vceo	-25	V
Emitter-Base Voltage	Veb	-6	V
Collector Current	Ic	-500	mA
Collector Dissipation Ta=25 *	Pc	225	mW
Junction Temperature	Tj	150	
Storage Temperature	Tstg	-55-150	

ELECTRICAL CHARACTERISTICS at Ta=25

Characteristic	Symbol	Min	Typ	Max	Unit	Test Conditions
Collector-Base Breakdown Voltage	BVcbo	-40			V	Ic=-100uA Ie=0
Collector-Emitter Breakdown Voltage#	BVceo	-25			V	Ic= -1mA Ib=0
Emitter-Base Breakdown Voltage	BVebo	-6			V	Ie= -100uA Ic=0
Collector-Base Cutoff Current	Icbo			-100	nA	Vcb= -35V Ie=0
Emitter-Base Cutoff Current	Iebo			-100	nA	Veb= -6V Ic=0
DC Current Gain	Hfe ₁	45				Vce= -1V Ic= -5mA
DC Current Gain	Hfe ₂	200		350		Vce= -1V Ic= -50mA
DC Current Gain	Hfe ₃	30				Vce= -1V Ic= -500mA
Collector-Emitter Saturation Voltage	Vce(sat)		-0.28	-0.5	V	Ic= -500mA Ib= -50mA
Base-Emitter Saturation Voltage	Vbe(sat)		-0.98	-1.2	V	Ic= -500mA Ib= -50mA
Base-Emitter On Voltage	Vbe(on)		-0.66	1	V	Vce= -1V Ic= -10mA
Output Capacitance	Cob		15		PF	Vcb=-10V Ie=0 f=1MHz
Current Gain-Bandwidth Product	fT	100	200		MHz	Vce=-10V Ic=-50mA

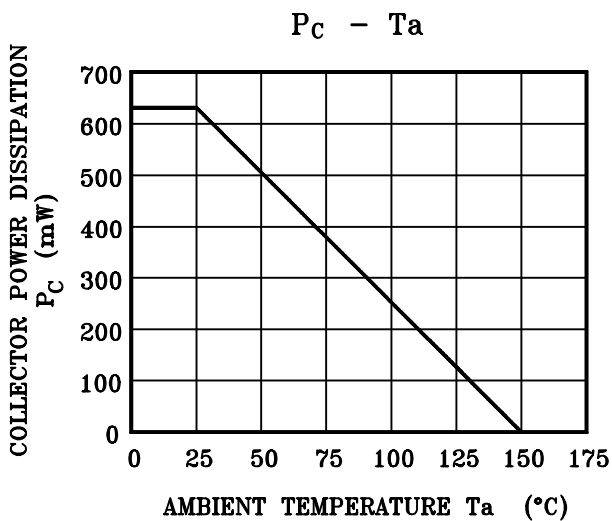
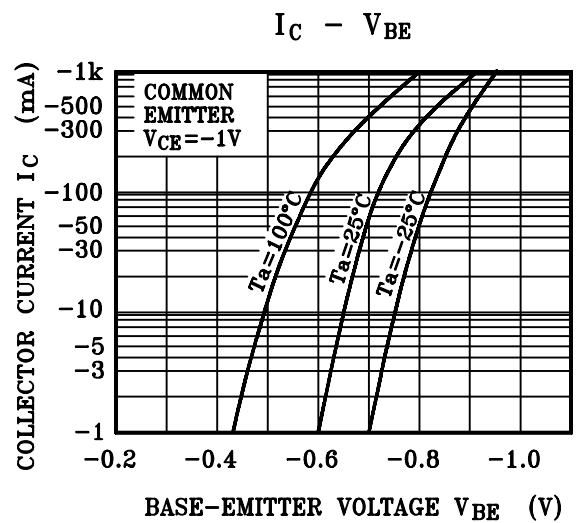
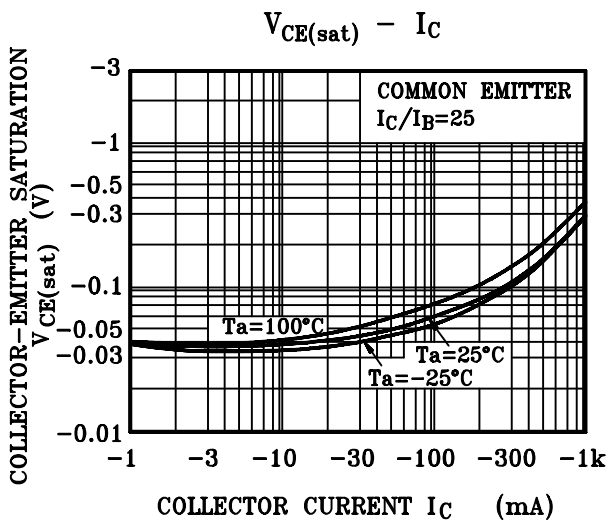
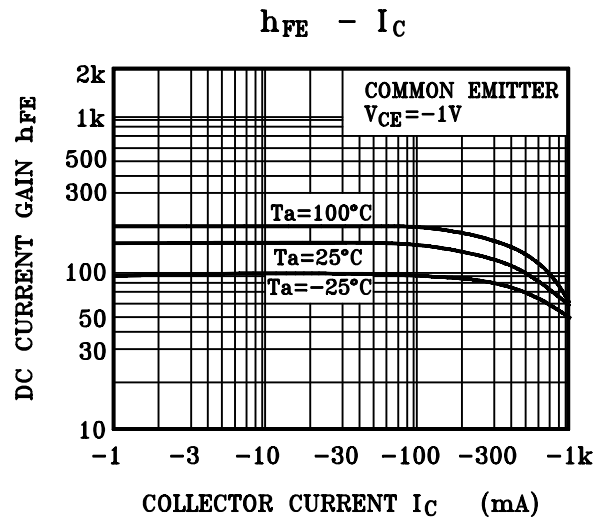
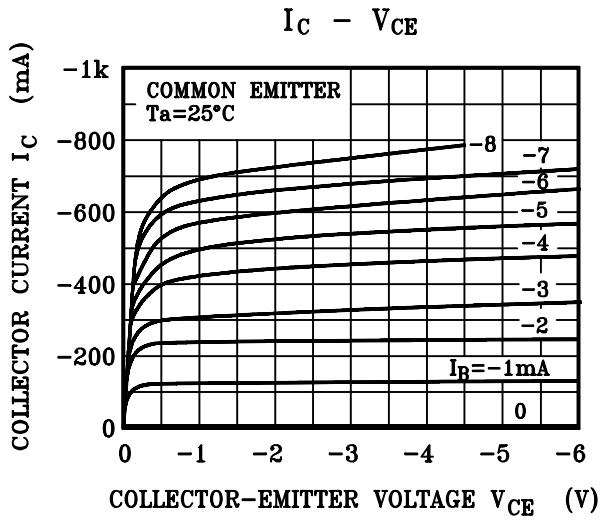
* Total Device Dissipation : FR=1x0.75x0.062in Board,Derate 25 .

Pulse Test : Pulse Width 300uS,Duty cycle 2%

DEVICE MARKING:

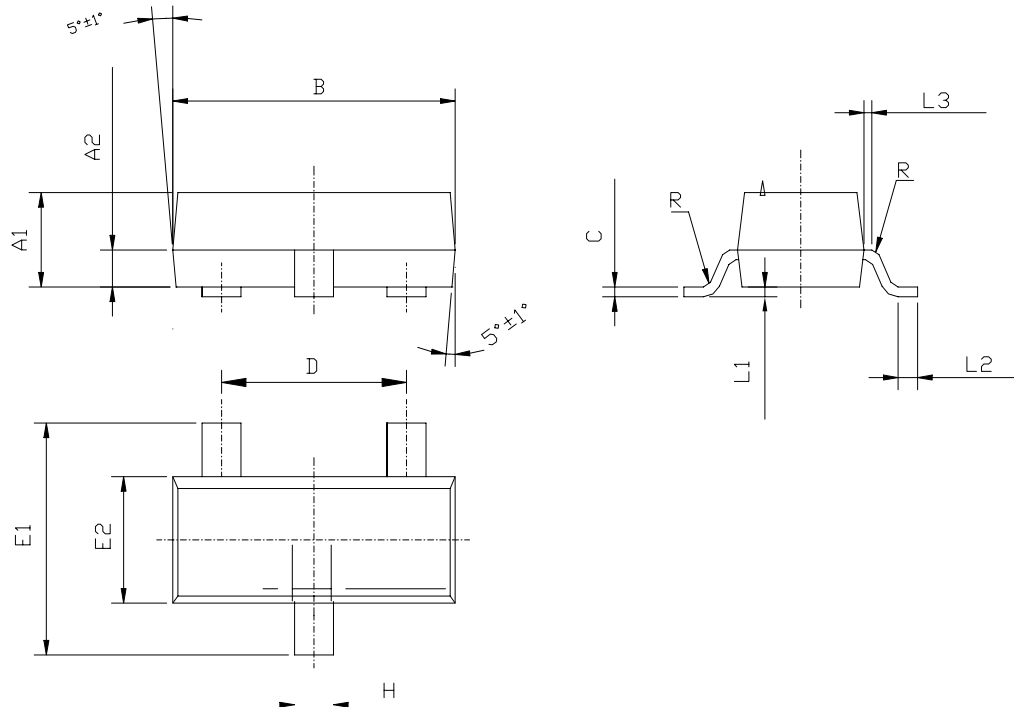
S8550=B6

S8550

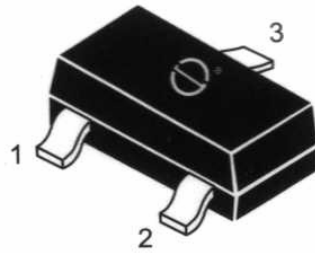


外型尺寸及内部结构图

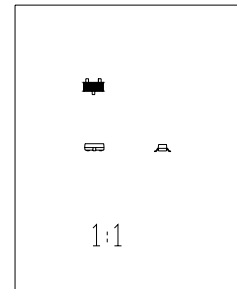
OUTSIDE DEMENSION AND INTERNAL CONFIGURATION (SOT-23)



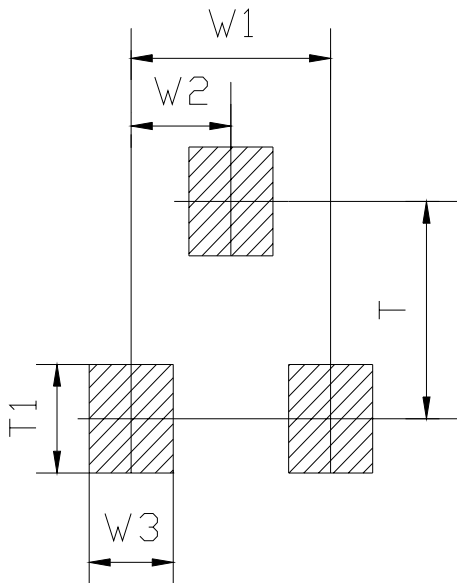
Symbol	Dimensions in Millimeters			内部结构 STYLS	管脚 PIN		
	Min	Nominal	Max		1 脚	2 脚	3 脚
A1	0.900	0.970	1.000	6	基极 BASE	发射极 EMITTER	集电极 COLLECTOR
A2	0.350	0.380	0.410				
B	2.800	2.900	3.000	8	阳极 ANODE	不连接 NO- CONNECTION	阴极 CATHODE
C	0.085	0.100	0.150				
D	1.800	1.900	2.000	9	阳极 ANODE	阳极 ANODE	阴极 CATHODE
E1	2.200	2.400	2.600				
E2	1.200	1.300	1.400	11	阳极 ANODE	阴极 CATHODE	阳极-阴极 ANODE-CATHODE
H	0.300	0.400	0.500				
L1	0.000		0.100	12	阴极 CATHODE	阴极 CATHODE	阳极 ANODE
L2	0.200						
L3	0.030	0.080	0.130	18	不连接 NO- CONNECTION	阴极 CATHODE	阳极 ANODE
R	0.080TYP						
				19	阴极 CATHODE	阳极 ANODE	阴极-阳极 CATHODE-ANODE



OUTSIDE



Scale 1:1 on letter size paper

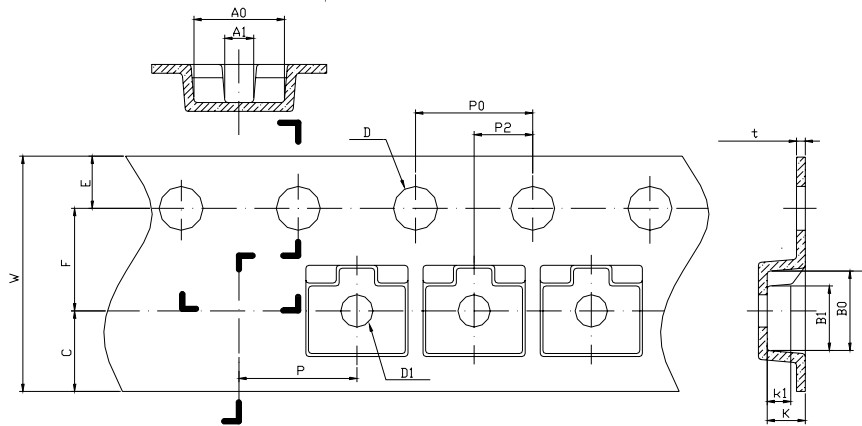
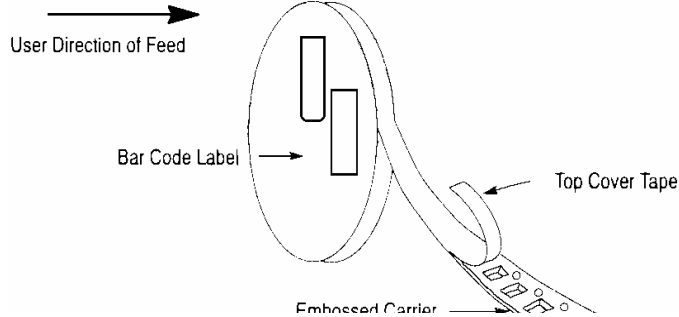


FOOTPRINTS FOR SOLDERING

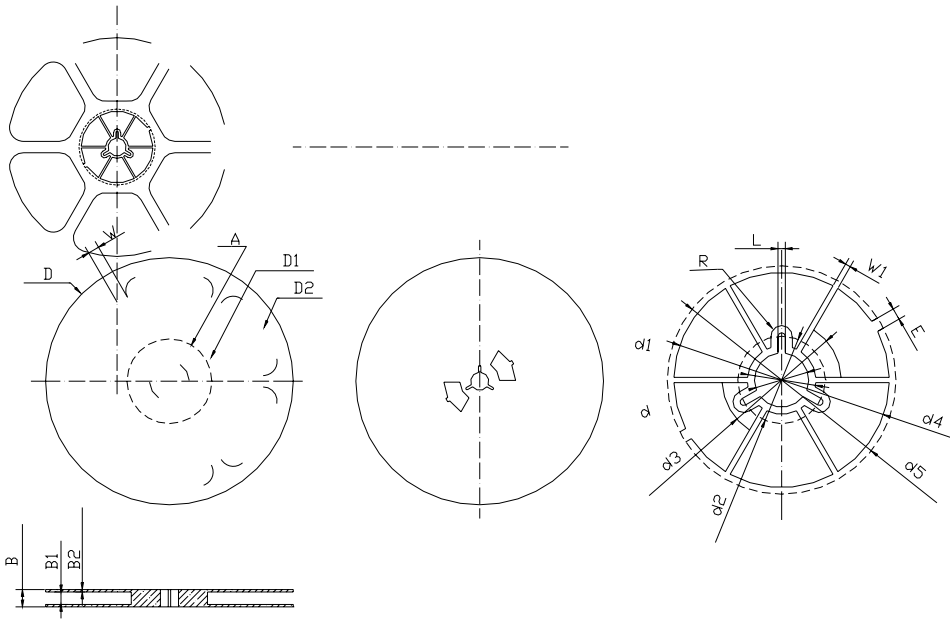
Symbol	Dimensions in Millimeters	Dimensions in Inches
	Nominal	Nominal
W1	1.900	0.0748
W2	0.950	0.0374
W3	0.800	0.0315
T	2.000	0.0787
T1	1.000	0.0394

SOT-23 TAPE AND REEL DATA

SOT-23 PACKAGING:



Symbol	Dimensions in Millimeters			Dimensions in Inches		
	Minimum	Nominal	Maximum	Minimum	Nominal	Maximum
A0	3.050	3.150	3.250	0.1201	0.1240	0.1280
A1	0.900	1.000	1.100	0.0354	0.0394	0.0433
B0	2.669	2.769	2.869	0.1051	0.1090	0.1130
B1	2.100	2.200	2.300	0.0827	0.0866	0.0906
C	2.750TYP			0.1083TYP		
D	1.500	1.500	1.600	0.0591	0.0591	0.0630
D1	0.900	1.000	1.100	0.0354	0.0394	0.0433
E	1.650	1.750	1.850	0.0650	0.0689	0.0728
F	3.450	3.500	3.550	0.1358	0.1378	0.1398
K	1.119	1.219	1.319	0.0441	0.0480	0.0519
K1	0.850TYP			0.03346TYP		
P	3.900	4.000	4.100	0.1535	0.1575	0.1614
P0	3.900	4.000	4.100	0.1535	0.1575	0.1614
P010	39.800	40.000	40.200	1.5669	1.5748	1.5827
P2	1.950	2.000	2.050	0.0768	0.0787	0.0807
t	0.216	0.229	0.242	0.0085	0.0090	0.0095
W	7.900	8.000	8.300	0.3110	0.3150	0.3268



Symbol	Dimensions in Millimeters			Dimensions in Inches		
	Minimum	Nominal	Maximum	Minimum	Nominal	Maximum
B	-	-	12.500	-	-	0.4921
B1	8.900	9.000	9.100	0.3504	0.3543	0.3583
B2	1.700	1.750	1.800	0.0669	0.0689	0.0709
D	φ177.000	φ178.000	φ179.000	Φ6.9685	Φ7.0079	Φ7.0472
D1	Φ67.600TYP			Φ2.6614TYP		
D2	Φ157.600TYP			Φ6.2047 TYP		
d	Φ12.800	Φ13.000	Φ13.200	Φ0.5039	Φ0.5118	Φ0.5197
d1	Φ16.40 TYP			Φ0.6457 TYP		
d2	Φ21.000 TYP			Φ0.8268 TYP		
d3	Φ25.200 TYP			Φ0.99221TYP		
d4	Φ50.600	Φ51.600	Φ52.600	Φ1.9921	Φ2.0315	Φ2.0709
d5	Φ53.800	Φ54.800	Φ55.800	Φ2.1181	Φ2.1575	Φ2.1969
E	2.800 TYP			0.1102TYP		
L	1.750 TYP			0.0689 TYP		
R	2.575 TYP			0.1014 TYP		
W	15.000 TYP			0.5906 TYP		
W1	1.300 TYP			0.0512 TYP		